

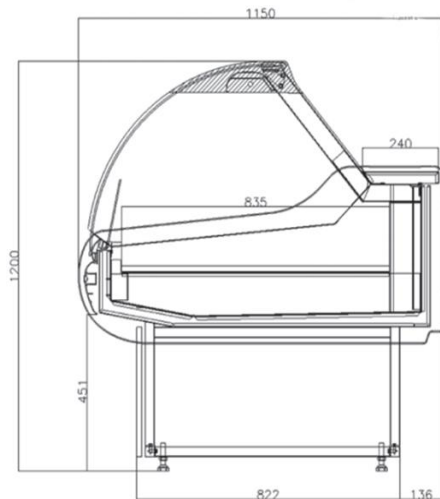
Specifications



1800374343

ADGBA-1350

Deli Display



CABINET DIMENSIONS

| | |
|--------------------|--------------------|
| | External |
| Height: | 1200mm |
| Width: | 1350mm |
| Depth: | 1150mm |
| Floor area: | 1.55m ² |



CABINET SPECIFICATIONS

| | |
|-----------------------------------|--|
| Refrigeration system: | Electronic controlled, Ventilate Cooling |
| Refrigerant / Charge: | R404A |
| Lid type : | Open doors |
| Cabinet temperature range: | 0°C to +5°C |
| Condensate Water: | Stainless steel automatic evaporation |
| Electrical: | 220-240 Volts a.c. 50 Hz |
| Power cord length: | 2.5m |
| Internal lighting: | 1LED |
| Bottom: | Stainless steel |
| Feet: | Wheel or feet |
| Insulation: | 50mm polyurethane foam |
| Total weight: | 100 kg |

Austune Australia Pty Ltd reserve the right to alter specifications without notice.

Austune Australia Pty Ltd

Unit 3, 35 Davis Road Wetherill Park NSW 2164

Tel: 02 9725 1578