

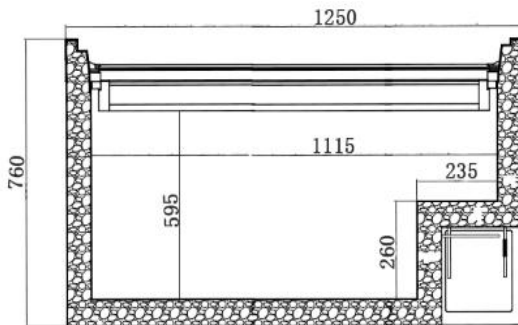
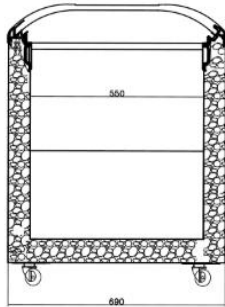
Specifications



1800374343

ADQ-400

Chest Freezer



CABINET DIMENSIONS

	External
Height:	850mm
Width:	1250mm
Depth:	695mm
Floor area:	1.18m ²



CABINET SPECIFICATIONS

Refrigeration system:	Static Cooling System
Refrigerant / Charge:	R290
Energy consumption:	3.2KWh/24h
Gross volume(L):	355L
Lid type :	Both-side curved Sliding doors
Glass door:	Single Low-e
Cabinet temperature range:	≤-18~-22°C
Electrical:	220-240 Volts a.c. 50 Hz, 15Amp Australian plug
Power cord length:	2.5m
Internal lighting:	1LED
Thermostat:	Mechanical
Inside cabinet:	White Pre-Painted Aluminium Sheet
Basket(Pvc coating):	4
Feet:	Wheel, front two brake
Insulation:	70mm polyurethane foam
Total weight:	65kg

Austune Australia Pty Ltd reserve the right to alter specifications without notice.

Austune Australia Pty Ltd

Unit 3, 35 Davis Road Wetherill Park NSW 2164

Tel: 02 9725 1578