

# UFK-0200 Flake Ice Machines

## Model

 UFK-0200A


Model UFK-0200A  
Flake Ice Machine

## Standard Features

- Up to 104 kg (229 lbs) daily flake ice production.
- Up to 30kg (66 lbs) ice storage capacity.
- Flake ice is perfect for food display, salad bars, and cold therapy/healthcare.
- High load low maintenance bearings for enhanced reliability.
- Heavy duty stainless steel cabinet resists corrosion.
- Easy access door, slides up & out of the way.



## Standard Equipment

### UFK-0200A

Ice Scoop, 15.24cm Bin Legs, Alternate Low Profile Legs Standard. Legs Adjustable from 11.43cm to 15.24cm. Low Profile Non-Adjustable at 0.63 cm

## Ice Machine Electric

220-240/50/1 ice machines are factory pre-wired with a 180cm (6') power cord with no plug.

**Ave. power consumption:** 470 W

**Maximum fuse size:** 10 amps.

HACR-type circuit breakers can be used in place of fuses

## Specifications

**Condenser Heat of Rejection (BTU per hour):**  
2,400 (average)

**Refrigerant:**  
R452A

### Operating Limits:

- Ambient Temperature Range: 10°-43°C (50°-110°F)
- Water Temperature Range: 3°-32°C (37°-90°F)
- Water Pressure Ice Maker Water In: Min. 1 bar (14 psi) Max. 6 bar (84 psi)

## Ice Shape

Flake ice is small hard bits of ice ideally suited for presentation applications.



Ice shown actual size



COMPANY WITH  
QUALITY SYSTEM

[www.manitowocice.com](http://www.manitowocice.com)

**Welbilt Deutschland GmbH**  
Auf der Weih 11  
D - 35745 Herborn,  
Germany  
Tel.: +49 27 72 58 050  
[welbilt.com.de](http://welbilt.com.de)

**Welbilt Iberia, S.A.U**  
Textil, 6 - Pol.Ind. La Ferreria  
- 08110 Montcada i Reixac  
Barcelona, Spain  
Tel.: +34 902 20 10 69  
[welbilt.com.es](http://welbilt.com.es)

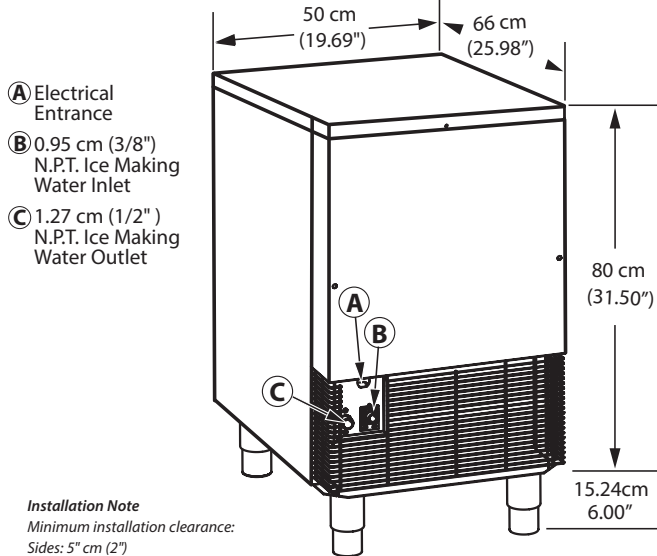
**Welbilt UK**  
Ashbourne House, The Guildway,  
Old Portsmouth Rd, Guildford  
GU3 1LR, United Kingdom  
Tel.: +44 1483 464900  
[www.welbilt.uk](http://www.welbilt.uk)





# UFK-0200 Flake Ice Machines

## UFK-0200



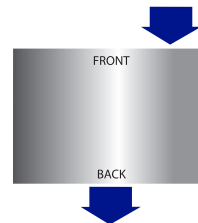
## Space-Saving Designs



	<b>UFK-0200A</b>
Height	95.24 cm 37.50"
Width	50.00 cm 19.69"
Depth	66.00 cm 25.98"
Bin Storage	30 kgs 66 lbs.

Height includes adjustable bin legs 11.43 cm to 15.24cm (4.50" to 6") set at 15.24 cm (6").

### Air Flow Overhead View



Air-cooled Ice Machine	Model	Ice Shape	Ice Production 24 Hours		Power kWh/45.4 kgs 32°Air/21°C 90°Air/70°F	Potable Water Usage (45.4 kgs of Ice/ 100 lbs)	Bin Storage	Shipping Weight
			10°Air/7°C Water 50°Air/45°F Water	21°Air/15°C Water 70°Air/60°C Water				
UFK-0200A	Flake		104 kgs	95 kg	4.99 kWh	45.4 L	30 kgs	76 kg
			229 lbs	209 lbs				

"A" following model number indicates "Air" condensing unit.