

# U FK-0350 Flake Ice Machines

## Model

U FK-0350A



Model U FK-0350A  
Flake Ice Machine

## Standard Features

- Up to 175 kg (386 lbs) daily flake ice production.
- Up to 55 kg (121 lbs) ice storage capacity.
- Flake ice is perfect for food display, salad bars, and cold therapy/healthcare.
- High load maintenance free bearings for enhanced reliability.
- Heavy duty stainless steel cabinet resists corrosion.
- Easy access door, slides up & out of the way.



## Standard Equipment

### U FK-0350A

Ice Scoop, 15.24cm Bin Legs, Alternate Low Profile Legs Standard Legs Adjustable from 11.43 to 15.24cm Low Profile Non-Adjustable 0.64cm

## Ice Machine Electric

220-240/50/1 ice machines are factory pre-wired with a 180cm (6') power cord with no plug.

**Ave. power consumption:** 700 W

**Maximum fuse size:** 10 amps.

HACR-type circuit breakers can be used in place of fuses

## Specifications

**Condenser Heat of Rejection (BTU per hour):**

3,500 (average)

**Compressor:**

Nominal rating: ? HP

**Refrigerant:**

R452A

**Operating Limits:**

- Ambient Temperature Range: 10°-43°C (50°-110°F)
- Water Temperature Range: 3°-32°C (37°-90°F)
- Water Pressure Ice Maker Water In: Min. 1 bar (14 psi) Max. 6 bar (84 psi)

## Ice Shape

Flake ice is small hard bits of ice ideally suited for presentation applications.



Ice shown actual size



COMPANY WITH QUALITY SYSTEM

[www.manitowocice.com](http://www.manitowocice.com)

Welbilt Deutschland GmbH  
Auf der Weih 11  
D - 35745 Herborn,  
Germany  
Tel.: +49 27 72 58 050  
[welbilt.com.de](http://welbilt.com.de)

Welbilt Iberia, S.A.U  
Textil, 6 - Pol.Ind. La Ferreria  
- 08110 Montcada i Reixac  
Barcelona, Spain  
Tel.: +34 902 20 10 69  
[welbilt.com.es](http://welbilt.com.es)

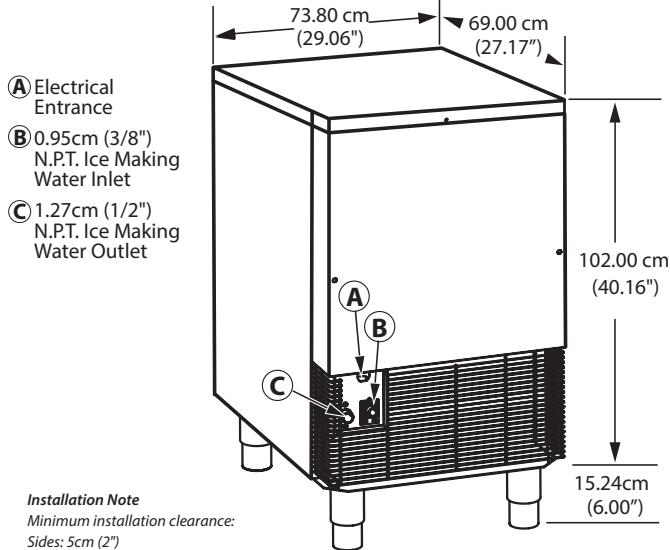
Welbilt UK  
Ashbourne House, The Guildway,  
Old Portsmouth Rd, Guildford  
GU3 1LR, United Kingdom  
Tel.: +44 1483 464900  
[www.welbilt.uk](http://www.welbilt.uk)





# UFK-0350 Flake Ice Machines

## UFK-0350



## Space-Saving Designs

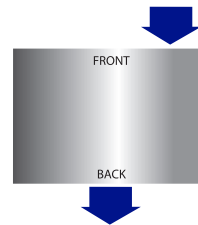


**UFK-0350**

Height	117.24cm 46.16"
Width	73.80cm 29.06"
Depth	69.00cm 27.17"
Bin Storage	55 kgs 121 lbs

Height includes adjustable bin legs 11.43cm to 15.24cm (4.5" to 6") set at 15.24cm (6").

### Air Flow Overhead View



Air-cooled Ice Machine	Model	Ice Shape	Ice Production 24 Hours		Power kWh/100 lbs @ 90° Air/70°F 32° Air/21°C	Potable Water Usage (100 lbs./ 45.4 kgs of Ice)	Bin Storage	Shipping Weight
			70° Air/50°F Water 21° Air/10°C Water	90° Air/70°F Water 32° Air/21°C Water				
UFK-0350A	Flake		337 lbs.	293 lbs.	4.99 kWh	12 gal.	121 lbs.	231 lbs
			153 kgs	133 kgs		45.4 L	55 kgs	105 kg

"A" following model number indicates "Air" condensing unit.