



800 SERIES FRYER

2 baskets

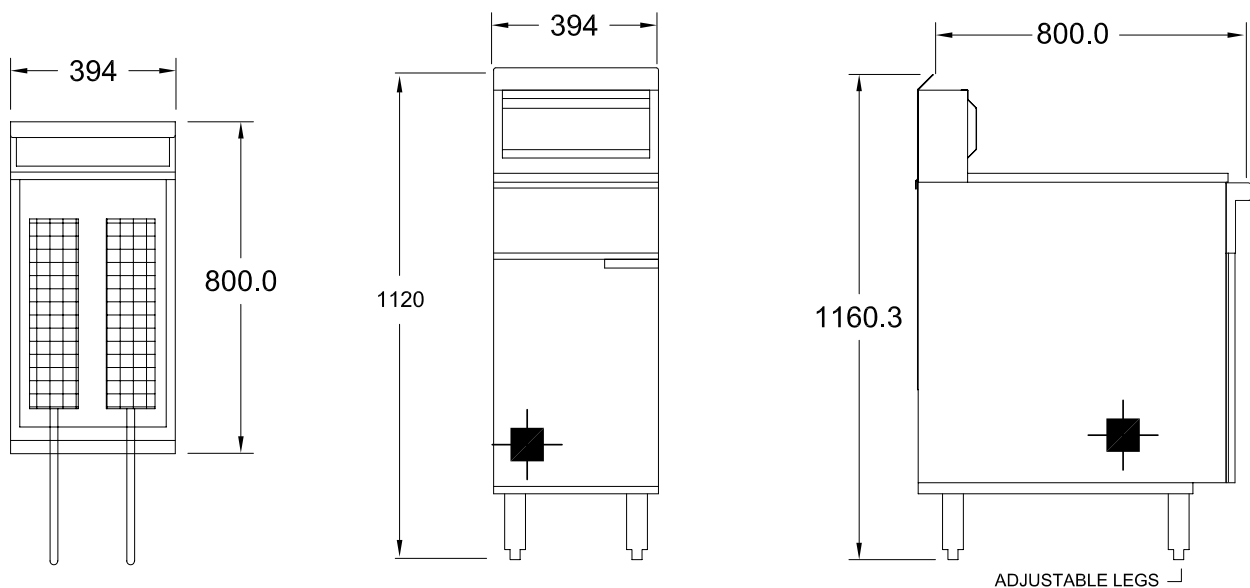
TGFIM/400L - Gas

- Turbo gas tube type fryer provides a quick recovery along with the benefit of energy efficiency
- Large cool zone for long oil life
- Stainless steel pan for easy cleaning
- Stainless steel baskets
- Cover/joiner strips available for multiple unit installations
- Line-up nosing

Other options

Night lid

Cover/joiner strips



TGFIM/400L 2 baskets

SPECIFICATIONS

Dimensions (WxDxH)	394 x 800 x 1120 mm
Working height	900 mm (±20 mm)
Pan Size (WxDxH)	353 x 353 x 300 mm
Capacity	28 L

3/4" BSP Gas Connection

Gas Connection	3/4" BSP
Rating	110 Mj (NG) / 87 Mj (LP)
Weight	65 kg
Packed	0.4 m ³

Australia's premier food service equipment manufacturer

middleby.com.au

211-217 Woodpark Road, Smithfield NSW 2164
1800 013 123 | +61 2 9604 7333

MIDDLEBY AUSTRALIA

